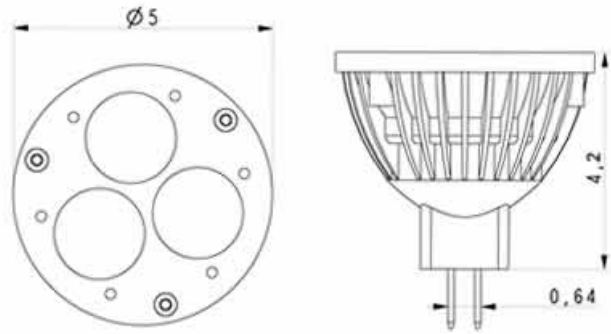
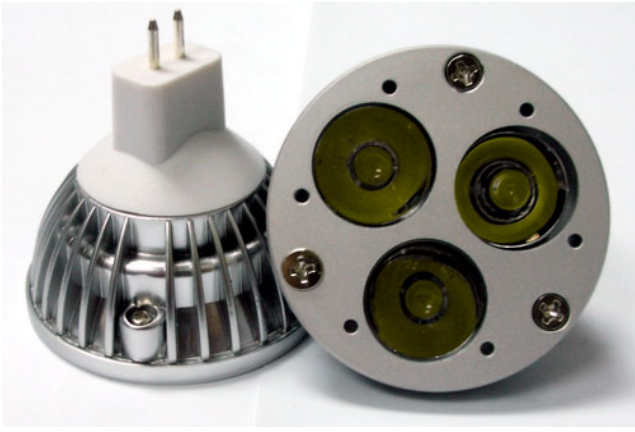


CT TECH CO., LTD

CT-HM6-03-B-A12-13



Dimension (mm)

LED Features

| Item | Parameter range |
|---|----------------------|
| LED Part No | CT-H1W-00-40-B-00-00 |
| LED Color | Blue |
| LED Wavelength λ_d (nm) Or Tc (k) | 465 nm |
| Viewing Angle $2\theta_{1/2}$ (Deg) | 15°/30°/50° |

| NO | Item | Units | Parameter range | | |
|----|---------------------|-------|-----------------|------------|------------|
| 1 | Working environment | °C | -20~40 | | |
| 2 | Storage condition | °C | -40~85 | | |
| 3 | Work frequency | Hz | 50/60 | | |
| 4 | Limited voltage | V | A/DC12±10% | | |
| 5 | Input current | mA | 290mA±15% | | |
| 6 | Output power | W | 3.3±20% | | |
| 7 | Luminous flux | LM | Min | Typ | Max |
| | | | 35 | 40 | 45 |

Add: 7th Fl, No. 15, Lane 427, Fu Sing N. Rd., Taipei Zip code: 105

Tel: 886-2-25460395

Fax: 886-2-87707036

www.cttechco.com

Email: info@cttechco.com