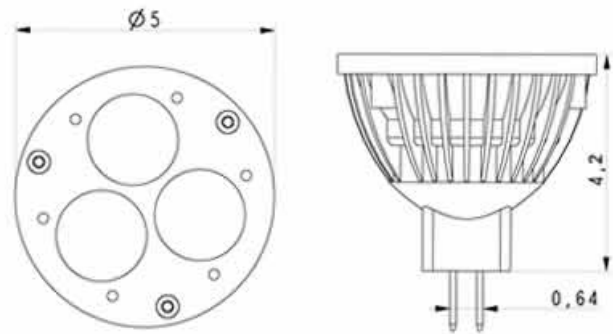
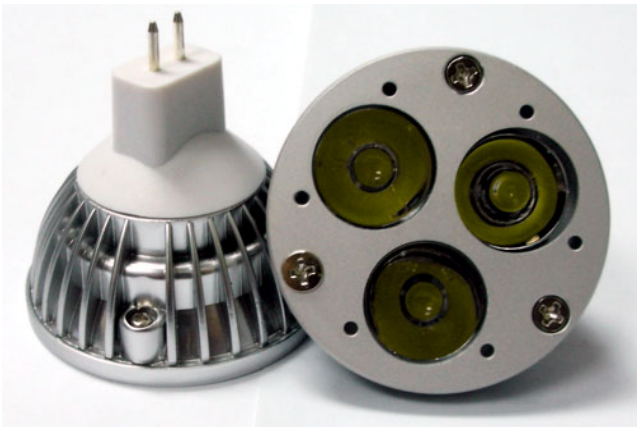


CT TECH CO., LTD

CT-HM6-03-G-A12-13



Dimension (mm)

LED Features

Item	Parameter range
LED Part No	CT-H1W-00-40-G-00-00
LED Color	Green
LED Wavelength λ_d (nm) Or Tc (k)	525 nm
Viewing Angle $2\theta_{1/2}$ (Deg)	15°/30°/50°

NO	Item	Units	Parameter range		
1	Working environment	°C	-20~40		
2	Storage condition	°C	-40~85		
3	Work frequency	Hz	50/60		
4	Limited voltage	V	A/DC12±10%		
5	Input current	mA	290mA±15%		
6	Output power	W	3.3±20%		
7	Luminous flux	LM	Min	Typ	Max
			70	80	90

Add: 7th Fl, No. 15, Lane 427, Fu Sing N. Rd., Taipei Zip code: 105

Tel: 886-2-25460395

Fax: 886-2-87707036

www.cttechco.com

Email: info@cttechco.com