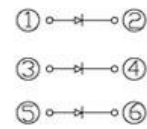
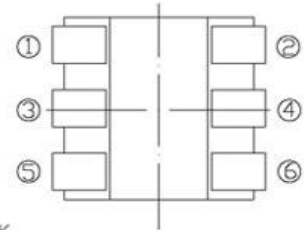
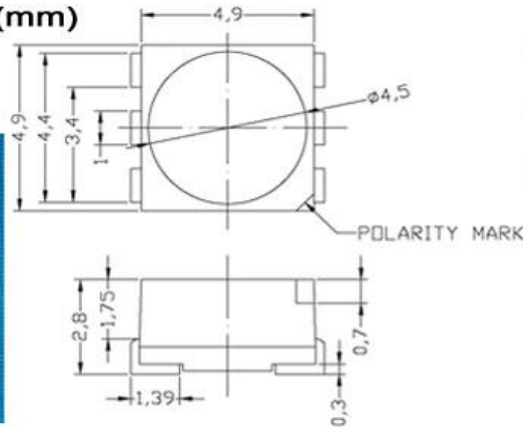


CT TECH CO., LTD

P/N: CT-TOP-5050-E0-W-00

Color: White

Outline Dimension(mm)



Electrical/Optical Characteristics:

Items	Absolute maximum Rating	Unit
Luminous Intensity	1000~3800	mcd
LED Wavelength λ d(nm) Or Tc(K)	5000~9000	K
Forward Current	60	mA
Forward Voltage	3.0~3.5	V
Operation Temperature	-40~+80	°C
Storage Temperature	-40~+80	°C
Viewing Angle	110~120	Deg

Add: 7th Fl, No. 15, Lane 427, FuSing N. Rd., Taipei Zip code: 105

Tel: 886-2-25460395

Fax: 886-2-87707036

www.cttechco.com

Email: info@cttechco.com